



INDUSTRIAL

HAZARDOUS
AREAS

DATA ICT

RESIDENTIAL
COMMERCIAL



B&R Enclosures
POLYNOVA PU

brenclosures.com.au

Polynova PU

General Purpose Enclosures & Distribution System



- Suitable for applications in harsh environments and requiring easy visual inspection.
- Suitable for low voltage (LV) double insulated applications.
- Capable of withstanding temperatures -30°C to 120°C.
- Conformity, Approvals:
 - CE Mark
 - IEC695: 960° Glow Wire Test
 - UL94, V1 rating
- 3-point locking comes as standard (except PU302514 enclosures).
- Manufactured from UV stabilised glass reinforced polyester (body) and polycarbonate (transparent window).
- Light Grey RAL7035.

Comes standard with:

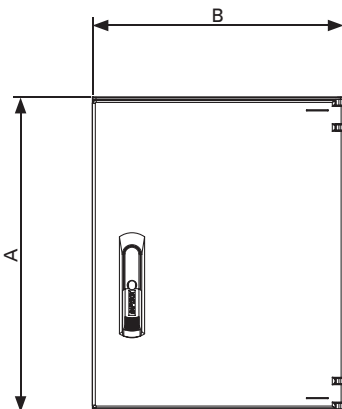
- Insulated mounting pan
- Lockable swing handle keyed to 92268 half euro barrel (except PU302514 & PU302514/W)
- Double bit ¼ turn lock on 300x250x140 enclosures only.



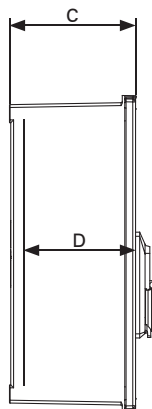
ORDERING GUIDE

Part Number		Dimensions (mm)									
		External		Internal	Mounting Centres		Window		Lock Type	Weight (kg)	
Plain Door	Window Door	Height (A)	Width (B)	Depth (C)	Usable Depth (D)	Height (E)	Width (F)	Height			Width
PU302514	PU302514/W	300	250	140	113	244	180	190	80	¼ turn	1.9
PU403020/3L	PU403020/W3L	400	300	200	173	342	230	280	120	3-point	3.6
PU504020/3L	PU504020/W3L	500	400	200	173	442	330	380	220	3-point	5.0
PU604023/3L	PU604023/W3L	600	400	230	203	540	330	480	220	3-point	7.0
PU605023/3L	PU605023/W3L	600	500	230	203	540	430	480	320	3-point	8.0
PU806030/3L	PU806030/W3L	800	600	300	273	738	530	600	400	3-point	13.0

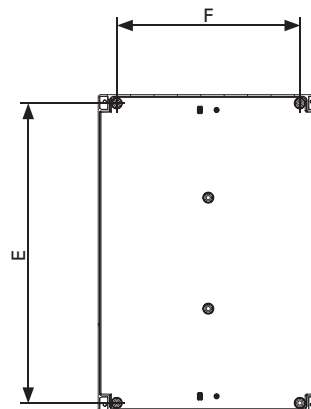
TECHNICAL DRAWINGS



Front View



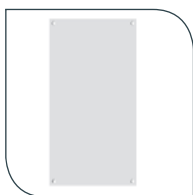
Side View



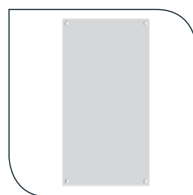
Rear View

ACCESSORIES

Product	Description	Part Number	Dimensions (mm)			PU3025/14	PU4030/20/3L	PU5040/20/3L	PU6040/23/3L	PU6050/23/3L	PU8060/30/3L	PU3025/14/W	PU4030/20/W3L	PU5040/20/W3L	PU6040/23/W3L	PU6050/23/W3L	PU8060/30/W3L
			Height	Width	Depth												
Mounting pan	Metal	PU3025/M	262	198	2	•						•					
		PU4030/M	360	248	2		•						•				
		PU5040/M	560	348	2			•						•			
		PU6040/M	558	348	2				•						•		
		PU6050/M	558	448	2					•						•	
	PU8060/M	756	548	2						•						•	
	Insulated	PU3025/I	262	198	4	•						•					
		PU4030/I	360	248	4		•						•				
		PU5040/I	560	348	4			•						•			
		PU6040/I	558	348	4				•						•		
PU6050/I		558	448	4					•						•		
Wall-mounting brackets (includes mounting hardware)	Set of 4 (max 50kg)	PU/WMB	-	-	-	•	•	•	•	•	•	•	•	•	•	•	•
	Depth adjustable spacer	200mm	PU/SDP200	-	-	-	•	•	•			•	•	•			
		230mm	PU/SDP230	-	-	-				•	•				•	•	
300mm		PU/SDP300	-	-	-					•						•	
Locks (For 300x250x140mm enclosures)	Insert key locking	PU/LCK	-	-	-	•					•						
	Insert 8mm square	PU/LCKS8	-	-	-	•					•						
	Insert 8mm triangle	PU/LCK8T	-	-	-	•					•						
	Padlock attachment	PU/PL	-	-	-	•					•						



Metal mounting pan



Insulated mounting pan



PU/WMB
(Set of 4)



PU/PL



PU/LCK



PU/LCKS8



PU/LCK8T

AUSTRALIA

Sales

T: 1300 Enclosures (1300 362 567)

F: 1300 796 599

E: sales@brenclosures.com.au

brenclosures.com.au

QUEENSLAND

Brisbane Manufacturing, Sales & Warehouse

51 Stradbroke Street

Heathwood QLD 4110

(PO Box 1151)

Browns Plains BC QLD 4118

T: +61 7 3714 1111

E: salesqld@brenclosures.com.au

NORTH QUEENSLAND

Townsville Sales & Warehouse

Unit 4 / 780 Ingham Road

Mount Louisa QLD 4814

(PO Box 7615)

Garbutt QLD 4814

T: +61 7 4727 1900

E: salestvl@brenclosures.com.au

NEW SOUTH WALES

NSW & ACT Sales & Warehouse

Unit 12/100 Belmore Road North

(PO Box 192)

Riverwood NSW 2210

T: +61 2 9915 9555

E: salesnsw@brenclosures.com.au

NEWCASTLE Distribution

109-111 Broadmeadow Road

Broadmeadow NSW 2292

T: +61 2 4961 4433

F: +61 2 4961 2498

VICTORIA

VIC & TAS Sales & Warehouse

50-52 Sunmore Close

Heatherton VIC 3202

T: +61 3 9552 0552

E: salesvic@brenclosures.com.au

TASMANIA Distribution

W P Martin Pty Ltd

85 Elizabeth Street

Launceston TAS 7250

T: +61 3 6331 5545

F: +61 3 6331 4256

SOUTH AUSTRALIA

SA & NT Manufacturing, Sales & Warehouse

505 Grand Junction Road

Wingfield SA 5013

T: +61 8 8417 6222

E: salessa@brenclosures.com.au

NORTHERN TERRITORY Distribution

Cnr Hidden Valley & Beaton Roads

Berrimah NT 0828

T: +61 8 8947 0870

F: +61 8 8947 0764

WESTERN AUSTRALIA

WA Sales Office & Warehouse

6 Montgomery Way

Malaga WA 6090

T: +61 8 6310 4777

E: saleswa@brenclosures.com.au

NEW ZEALAND

Sales

B&R Enclosures Limited

T: 0800 Enclosures (0800 362 567)

E: sales@brenclosures.co.nz

brenclosures.co.nz

AUCKLAND Distribution

Unit 6/103 Cryers Road

East Tamaki Auckland NZ 2013

T: +64 9 265 2097

F: +64 9 265 2437

E: sales@brenclosures.co.nz

CHRISTCHURCH Distribution

17 Washbournes Road

Wigram Christchurch NZ 8042

T: +64 3 348 0659

F: +64 3 348 4043

E: sales@brenclosures.co.nz

CHINA

Sales

B&R Enclosures (Suzhou) Co. Ltd

E: sales@brenclosures.com.cn

brenclosures.com.cn

SUZHOU

Suzhou Sales Office & Manufacturing

Building 45 Chuangtou Industrial Zone

SIP, Suzhou 215122

PEOPLE'S REPUBLIC OF CHINA

T: +86 512 8718 2139

F: +86 512 8718 2140

E: sales@brenclosures.com.cn

SOUTH EAST ASIA

Sales

B&R Enclosures SDN BHD

E: sales@brenclosures.com.au

brenclosures.com.au

MALAYSIA

Malaysia Sales Office & Manufacturing

No.38-1, Puchong Gateway Square,

Jalan Suria Puchong 4,

Pusat Perniagaan Suria Puchong

47110, Puchong, Selangor, Malaysia

T: +603 8958 3923 or +603 8959 3923

F: +603 8958 3223

E: sales@brenclosures.com.au

MIDDLE EAST

Sales

B&R Gulf

E: sales@brgulf.com.sa

brenclosures.com.sa

DAMMAM

Dammam Sales Office & Manufacturing

Factory No. 119, Modon Buildings

King Salman Road, Industrial Area 3

Dammam, Kingdom of Saudi Arabia

T +96 638 128 691 or +96 650 349 6592

E: sales@brgulf.com.sa