



- INDUSTRIAL
- HAZARDOUS AREAS
- DATA ICT
- RESIDENTIAL COMMERCIAL



B&R Enclosures
AUSRACK WALL *anyX*

brenclosures.com.au

Ausrack Wall *onyX*

19 inch wall mount cabinets



✓
EIA-310-D
Compliant

LOAD
50kg

- Suitable for housing networking equipment including patch panels, modems and routers.
- Wall mounted cabinets that are easy-to-install.
- Provide maximum accessibility for maintenance.
- With rear swing frame on selected models, allowing access to the rear of the enclosure.
- Removable side panels.
- Manufactured from 1.2mm SPCC rolled steel.
- Powdercoated textured matte black.

Comes standard with:

- Reversible swing frame
- Safety glass keylockable door
- Adjustable 19" mounting rails
- Removable side panels with key locks
- Fixed shelf



ORDERING GUIDE

Part Number	RU	External Dimensions (mm)				Mounting Centres (mm)				Fixed Shelf	Weight (kg)
		Height (A)	Width (B)	Depth (C)	Swing Frame (D)	Enclosure Depth	Height (E)	Width (F)			
ARWX6U450NF	6	370	600	450	–	450	220	450	1	18.0	
ARWX6U450	6	370	600	550*	100	450	220	450	1	23.0	
ARWX9U450	9	500	600	550*	100	450	350	450	1	27.0	
ARWX12U450NF	12	635	600	450	–	450	485	450	1	24.0	
ARWX12U450 [▲]	12	635	600	550*	100	450	485	450	1	32.0	
ARWX12U600	12	635	600	700*	100	600	485	450	1	38.0	
ARWX18U450	18	905	600	550*	100	450	755	450	2	39.0	
ARWX18U600	18	905	600	700*	100	600	755	450	2	45.0	
ARWX24U450	24	1175	600	550*	100	450	1025	450	2	46.0	
ARWX24U600	24	1175	600	700*	100	600	1025	450	2	52.0	

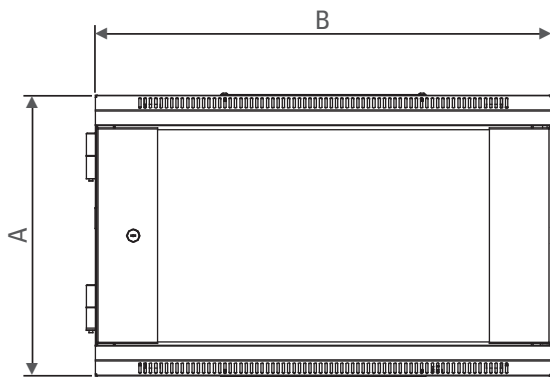
[▲] Available on Request

* Includes depth of swing frame 100mm

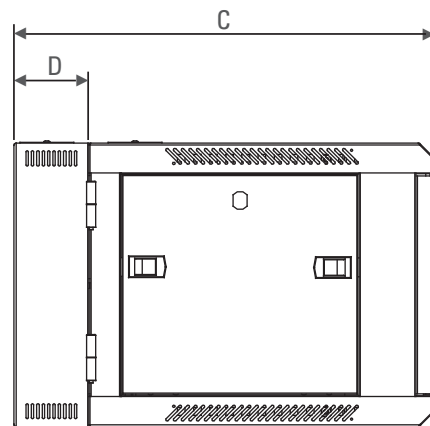
Ausrack Wall *onyX*

19 inch wall mount cabinets

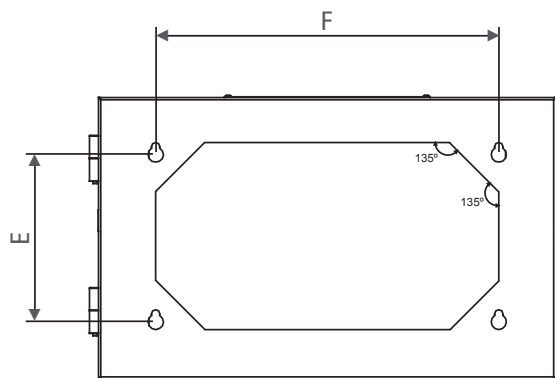
TECHNICAL DRAWINGS



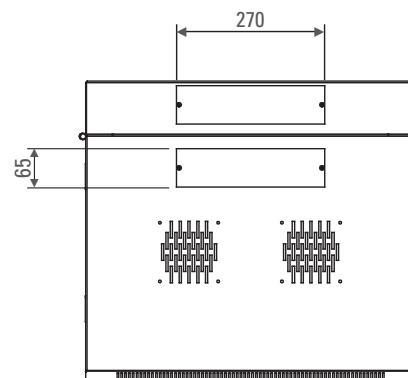
Front View



Side View



Rear View



Top View

Accessories

A range of accessories to suit Ausrack Wall *onyX*



ACCESSORIES

Part Number	Product	Description	ARWX6U450NF	ARWX6U450	ARWX9U450	ARWX12U450NF	ARWX12U450	ARWX12U600	ARWX18U450	ARWX18U600
ARWX2F [▲]	Fan unit	2 fan unit	•	•	•	•	•	•	•	•
ARPRH61010	Power rails – horizontal (10A outlets only) SAA	6 x 10A outlets, 10A plug	•	•	•	•	•	•	•	•
ARPRH61015		6 x 10A outlets, 15A plug	•	•	•	•	•	•	•	•
ARPRH101010		10 x 10A outlets, 10A plug	•	•	•	•	•	•	•	•
ARPRH101015		10 x 10A outlets, 15A plug	•	•	•	•	•	•	•	•
ARDXM12U06	Mesh steel doors	To suit 12RU cabinets				•	•	•		
ARDXM18U06		To suit 18RU cabinets							•	•
ARPCMH1U	Horizontal cable management	1RU	•	•	•	•	•	•	•	•
ARWX450FS [▲]	Fixed shelf - 30kg load, black	285mm	•	•	•	•	•	•	•	•
ARWX450CS	Cantilever shelf - 10kg load, black	450mm	•	•	•	•	•	•	•	•
ARFXKEYR	Spare key	Door, swing frame	•	•	•	•	•	•	•	•
ARCN	Cage nuts	Pack of 50	•	•	•	•	•	•	•	•
ARSTUD100 [▲]	Rack Studs	Pack of 100	•	•	•	•	•	•	•	•
ARSTUD20 [▲]		Pack of 20	•	•	•	•	•	•	•	•

▲ Available on Request



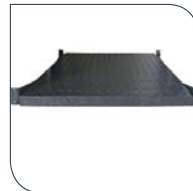
ARWX2F



ARPRH



ARPCMH1U



ARWX450FS



ARWX450CS



Rack Studs

AUSTRALIA

Sales

T: 1300 Enclosures (1300 362 567)
F: 1300 796 599
E: sales@brenclosures.com.au
brenclosures.com.au

QUEENSLAND

Brisbane Manufacturing, Sales & Warehouse
51 Stradbroke Street
Heathwood QLD 4110
(PO Box 1151)
Browns Plains BC QLD 4118
T: +61 7 3714 1111
E: salesqld@brenclosures.com.au

NORTH QUEENSLAND

Townsville Sales & Warehouse
Unit 4 / 780 Ingham Rd, Mount Louisa
(PO Box 7615),
Garbutt QLD 4814
T: +61 7 4727 1900
E: salestvl@brenclosures.com.au

NEW SOUTH WALES

NSW & ACT Sales & Warehouse
Unit 12 / 100 Belmore Road North
(PO Box 192)
Riverwood NSW 2210
T: +61 2 9915 9555
E: salesnsw@brenclosures.com.au

NEWCASTLE Distribution

Ross Joice Agencies Pty Ltd
109-111 Broadmeadow Road
Broadmeadow NSW 2292
T: +61 2 4961 4433

VICTORIA

VIC & TAS Sales & Warehouse
50-52 Sunmore Close
Heatherton VIC 3202
T: +61 3 9552 0552
E: salesvic@brenclosures.com.au

TASMANIA Distribution

W P Martin Pty Ltd
85 Elizabeth Street
Launceston TAS 7250
T: +61 3 6331 5545

SOUTH AUSTRALIA

SA & NT Manufacturing, Sales & Warehouse
505 Grand Junction Road
Wingfield SA 5013
T: +61 8 8417 6222
E: salessa@brenclosures.com.au

NORTHERN TERRITORY Distribution

Jewell Distributors Pty Ltd
Cnr Hidden Valley & Beaton Roads
Berrimah NT 0828
T: +61 8 8947 0870

WESTERN AUSTRALIA

WA Sales Office & Warehouse
6 Montgomery Way
Malaga WA 6090
T: +61 8 6310 4777
E: saleswa@brenclosures.com.au

NEW ZEALAND

Sales

B&R Enclosures Limited
T: 0800 Enclosures (0800 362 567)
E: sales@brenclosures.co.nz
brenclosures.co.nz

AUCKLAND Distribution

Matchmaster
Unit 6/103 Cryers Road
East Tamaki Auckland NZ 2013
T: +64 9 265 2097
E: sales@brenclosures.co.nz

CHRISTCHURCH Distribution

Matchmaster
17 Washbournes Road
Wigram Christchurch NZ 8042
T: +64 3 348 0659
E: sales@brenclosures.co.nz

CHINA

B&R Enclosures (Suzhou) Co. Ltd
E: sales@brenclosures.com.cn
brenclosures.com.cn

SUZHOU

Manufacturing, Sales & Warehouse
Building 45, Chuangtou
Industrial Zone, SIP,
Suzhou 215122
PEOPLE'S REPUBLIC OF CHINA
T: +86 512 8718 2139
E: sales@brenclosures.com.cn

SOUTH EAST ASIA

Sales

Manufacturing, Sales & Warehouse
B&R Enclosures SDN BHD
No.38-1, Puchong Gateway Square,
Jalan Suria Puchong 4
Pusat Perniagaan Suria Puchong
47110, Puchong, Selangor, Malaysia
M: +601 2350 2568
T: +603 8958 3923

E: sales@brenclosures.com.my
brenclosures.com.my

MALAYSIA Distribution

MTW Controls SDN BHD
42 Puchong Gateway Square
Jalan Suria Puchong 4
47110 Puchong Darul Ehsan
Kuala Lumpur, MALAYSIA
M: +601 227 7637 3
E: ckwoon@mtwcontrols.com.my

INDONESIA Distribution (Office)

P.T Reitama Engineering
Jl. Margonda Raya No. 139
Depok, INDONESIA 16413
T: +62 21 7783 7078 (Hunting)
M: +62 81 1979 7772
E: sales@reitama-engineering.com

MIDDLE EAST

Sales

Manufacturing, Sales & Warehouse
B&R Gulf
Factory No. 12, Modon Buildings
King Salman Road, Industrial Area 3
Dammam, Kingdom of Saudi Arabia
T: +96 638 128 691 or +96 650 349 6592
E: sales@brgulf.com.sa
brgulf.com.sa

UAE Distribution

Engineering Support Systems Est.
PO Box 33904 Defence Street
Ashtel Mobile Shop Bldg.
Mezzanine Floor, Room M2
Abu Dhabi, UNITED ARAB EMIRATES
T: +971 2641 1844
E: esse@emirates.net.ae

OMAN Distribution

Global Corp Enterprices LLC
PO Box 1524
Al Khuwair, OMAN
M: +968 9929 4323
E: rakesh@globalcorpoman.com

QATAR Distribution

Petrogulf Qatar
WLL Doha
QATAR
T: +974 4435 0151
E: amit@petrogulf.org